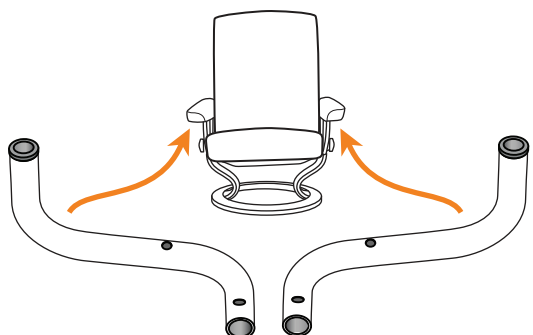
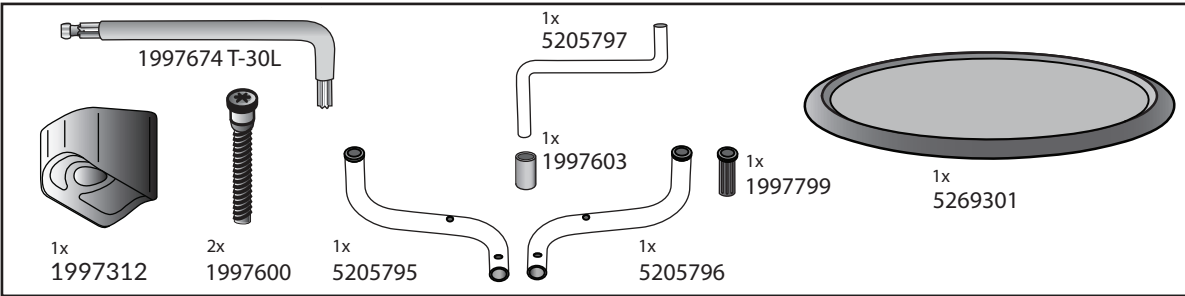


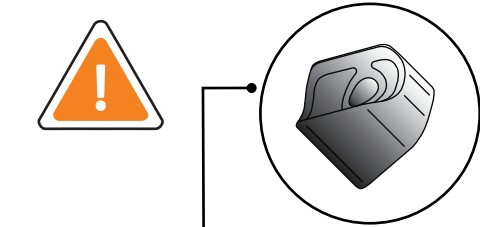
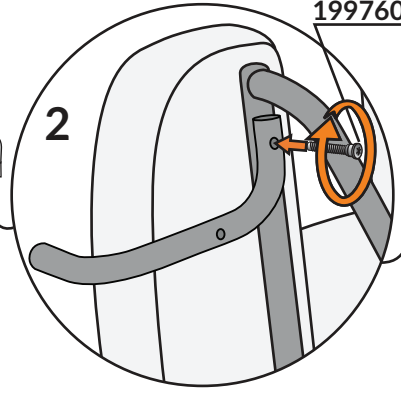
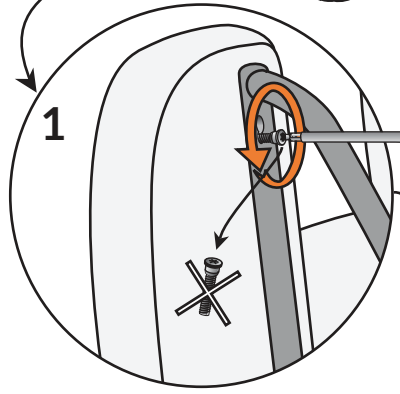
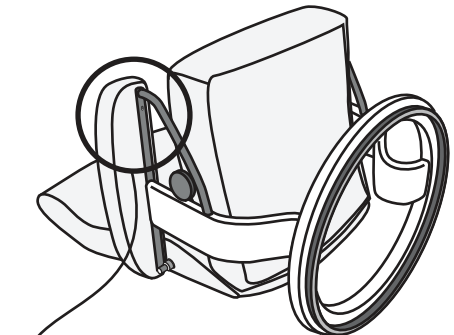
# Assembly Instruction Stressless® Swing table



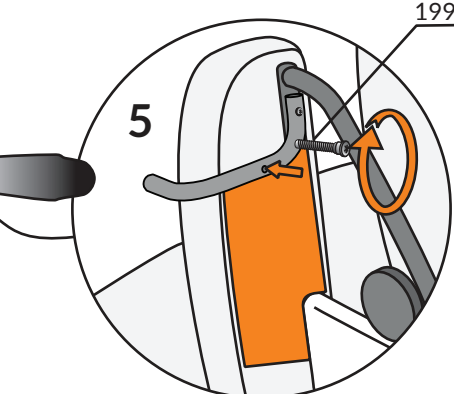
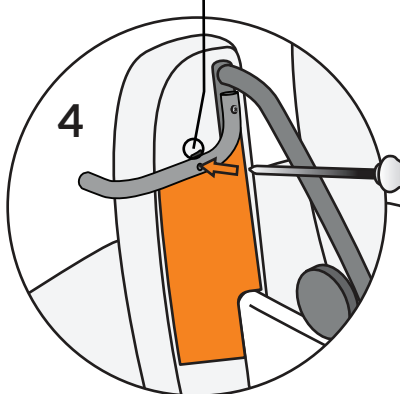
Optional placement, left or right



MAX 5 Kg



spacer



Stressless® Magic



For other models

