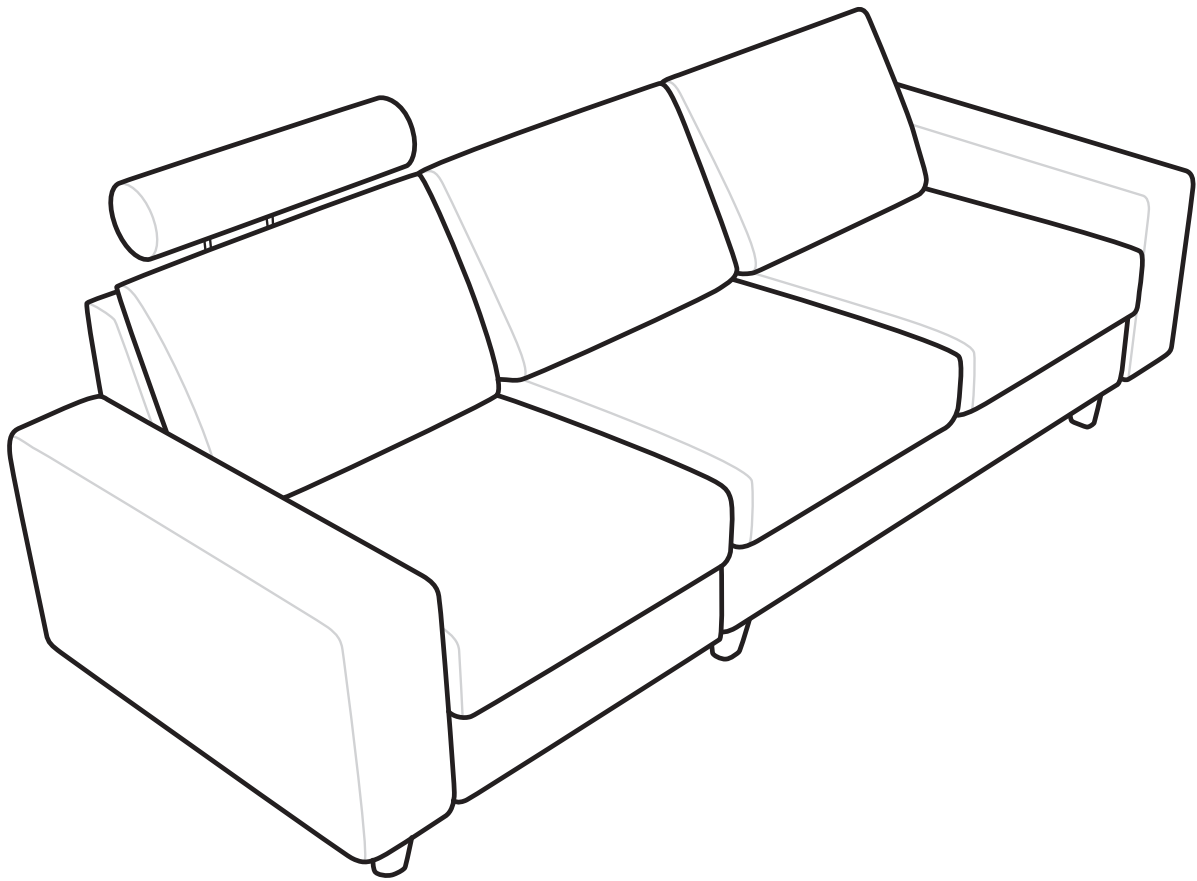
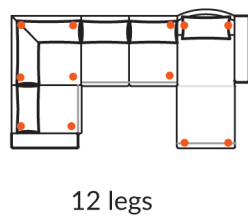
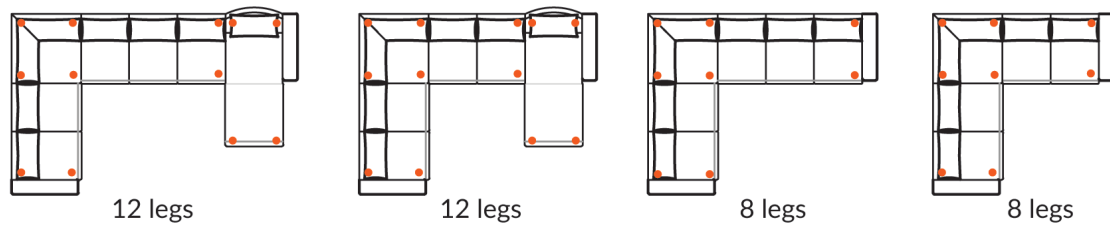
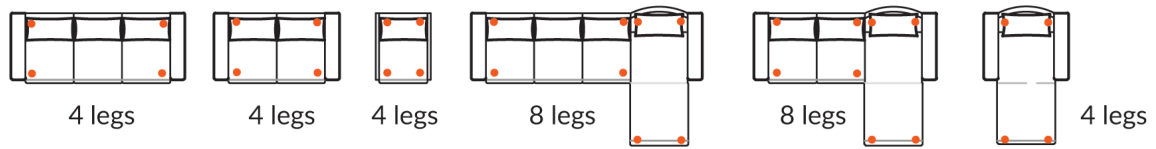


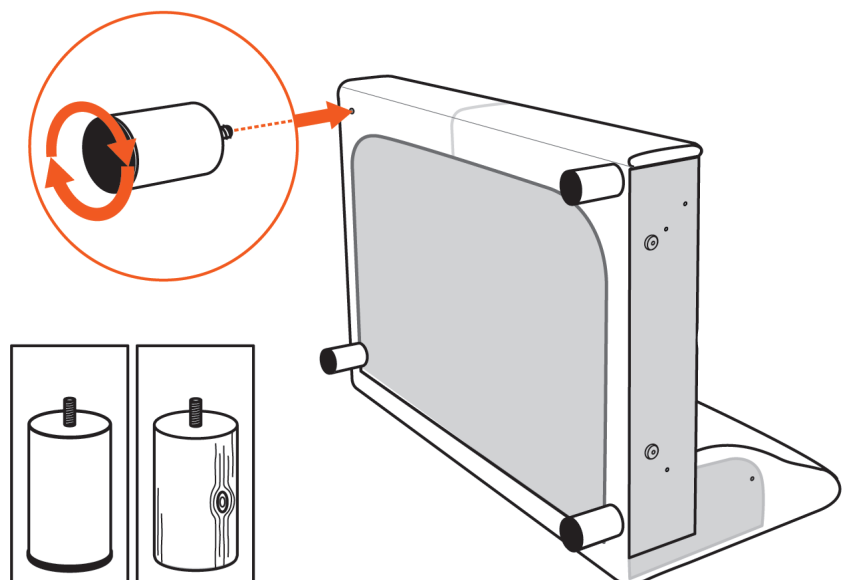
Assembly
Stressless® Emma



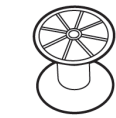
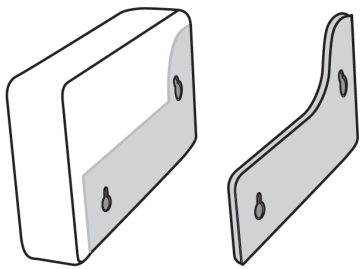
Assemble legs



Mounting of legs



Assemble armrest/panel to sofa



990001679



990000989



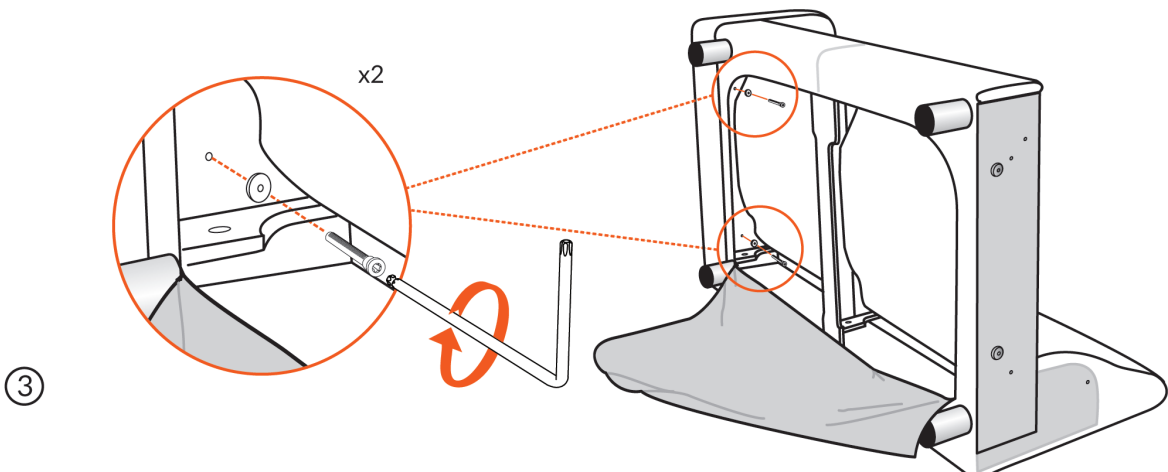
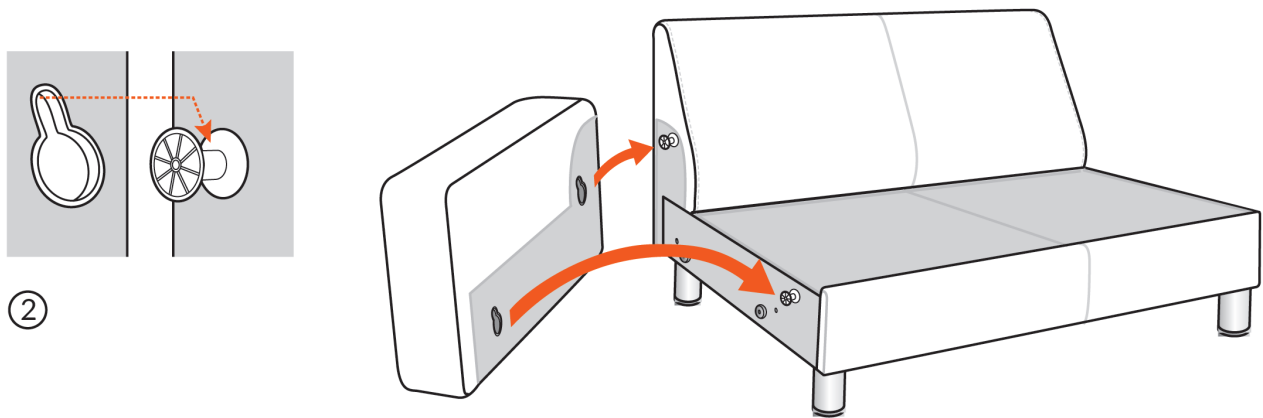
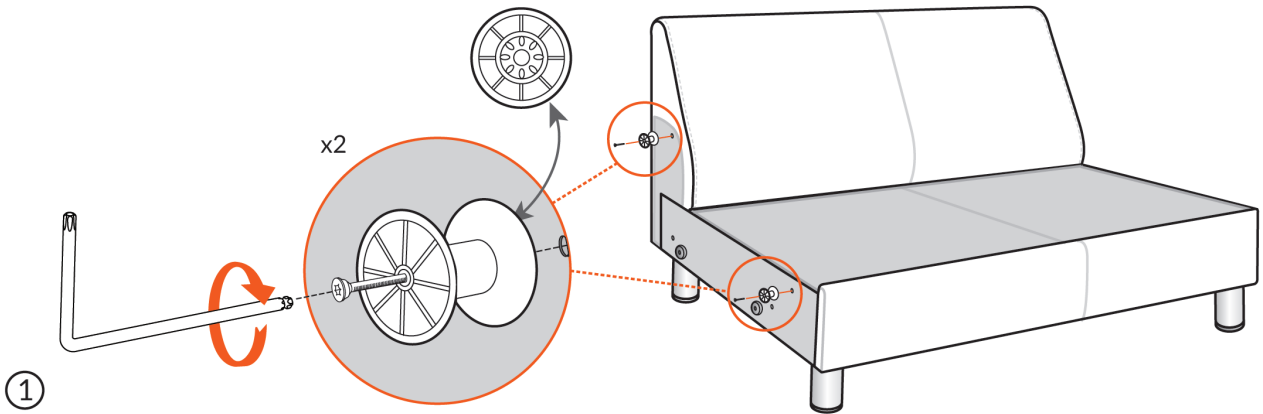
990000984



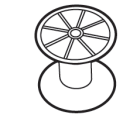
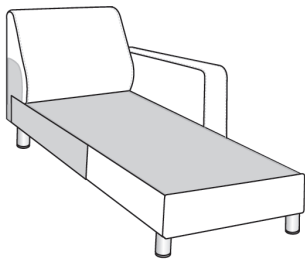
990000859



99230316



Assemble longseat to sofa



990001679

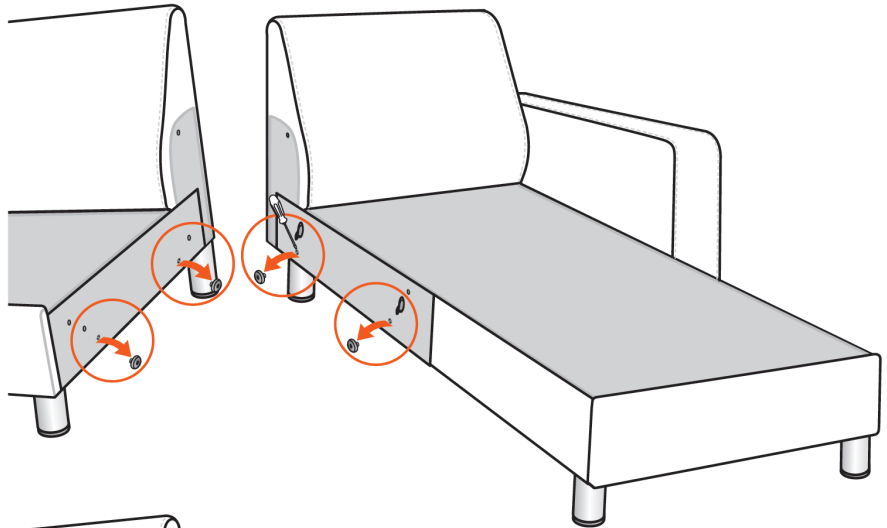
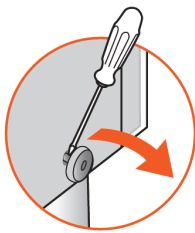


990000984

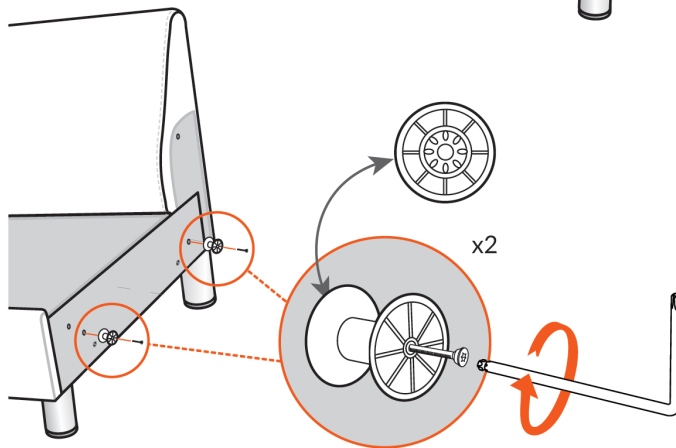


99230316

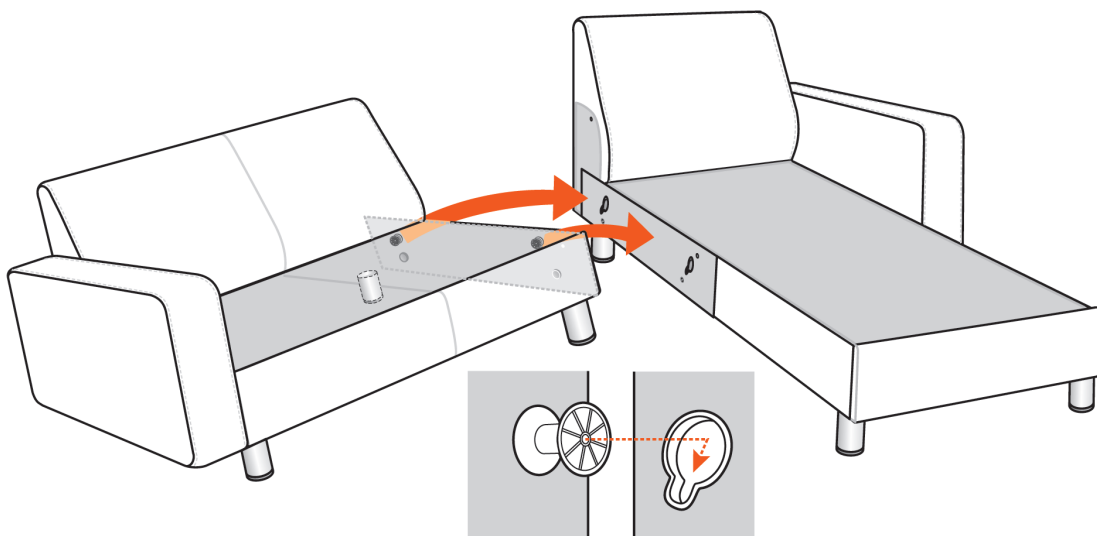
①



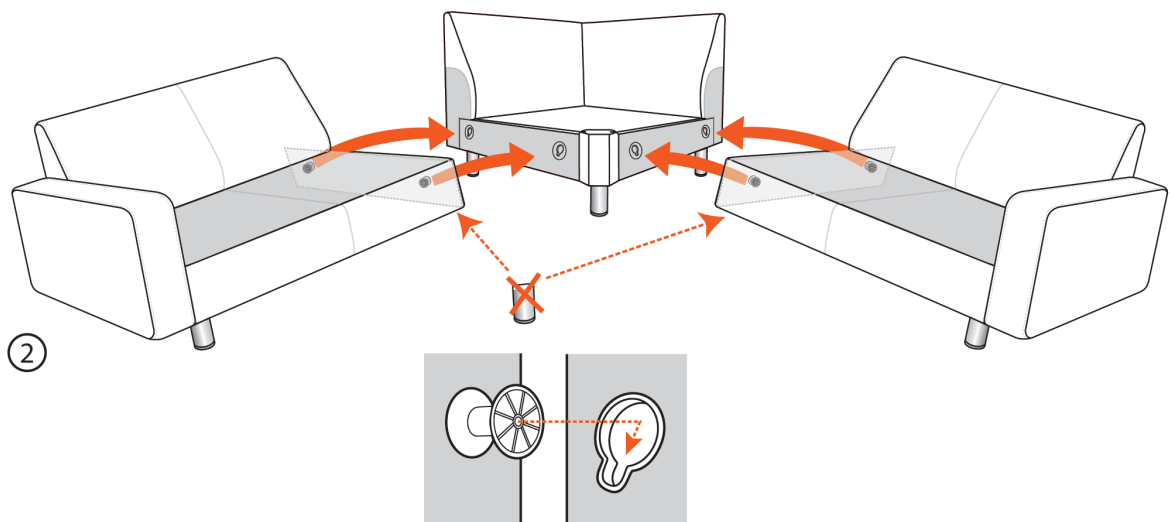
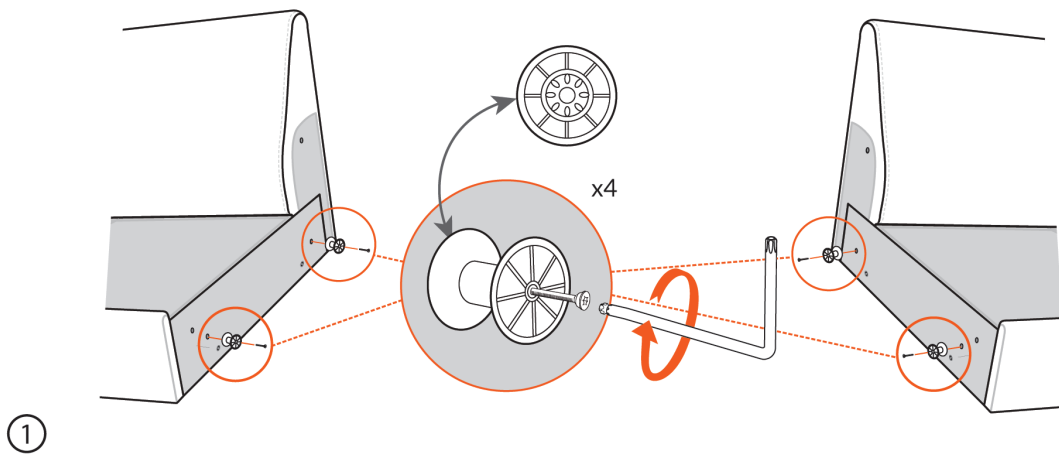
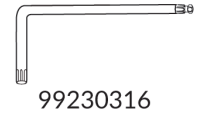
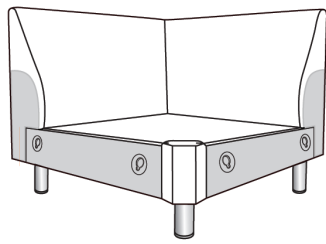
②



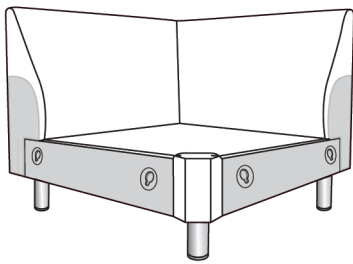
③



Assemble corner to sofa



Assemble corner to one seater



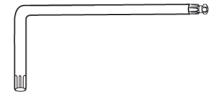
x2
990001679



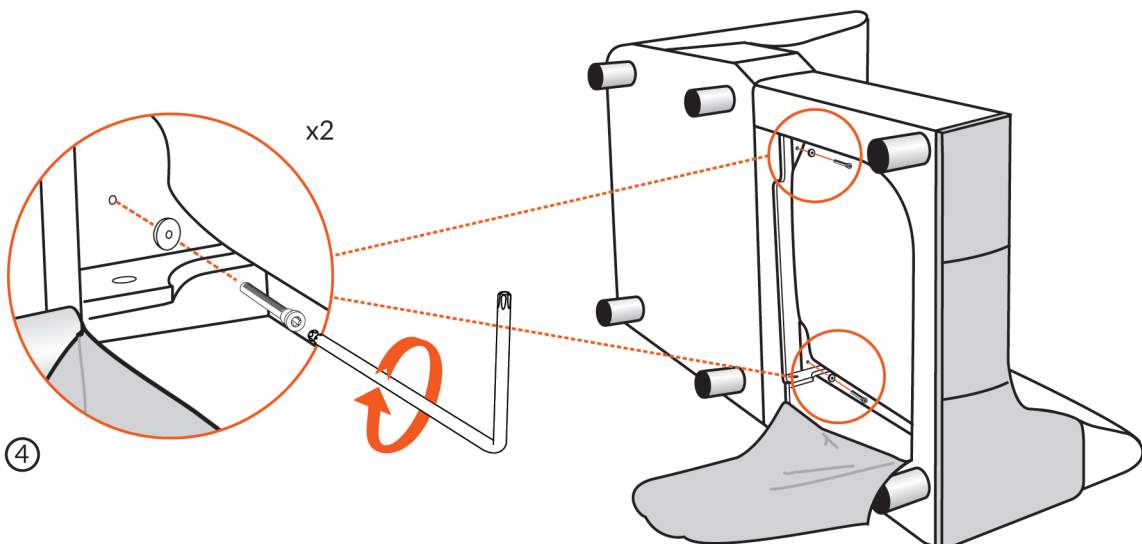
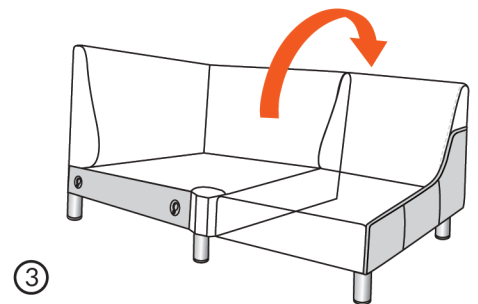
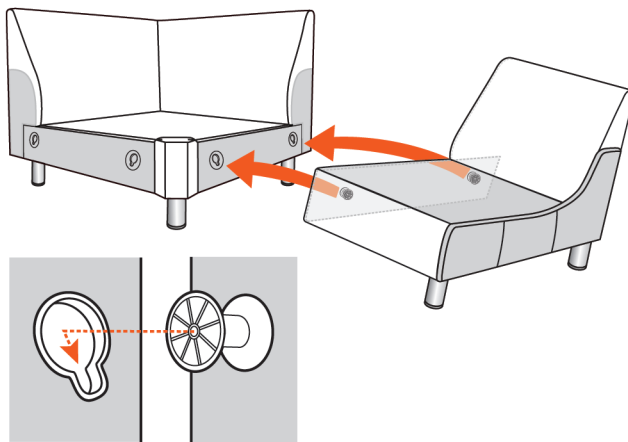
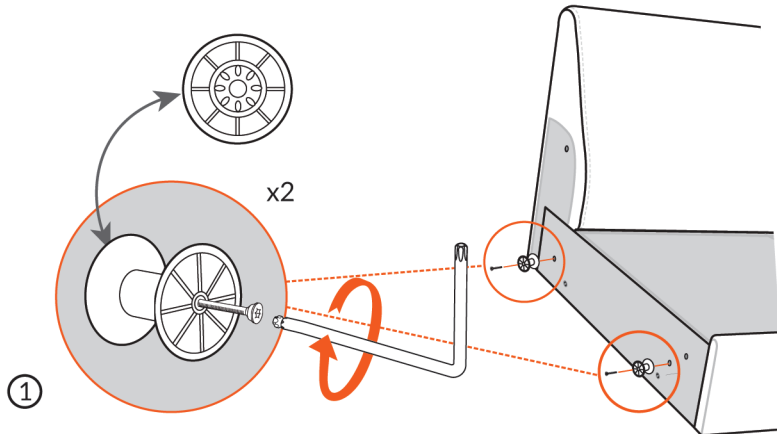
x4
990000984



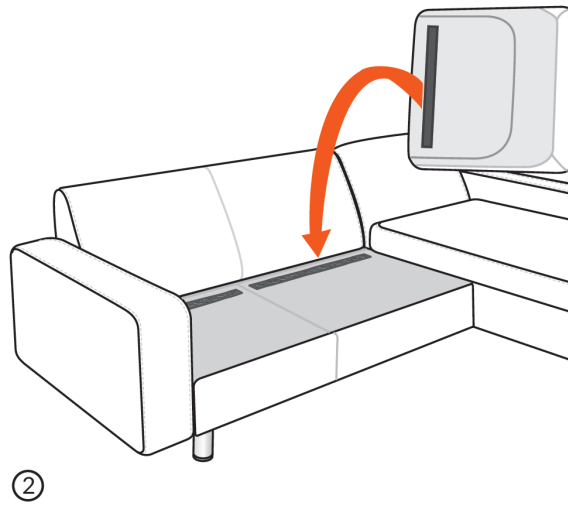
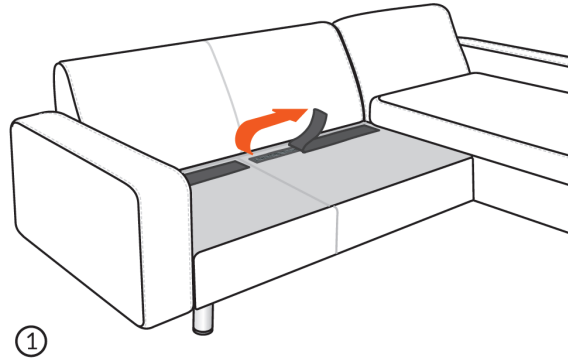
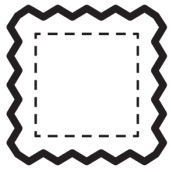
x2
990000859



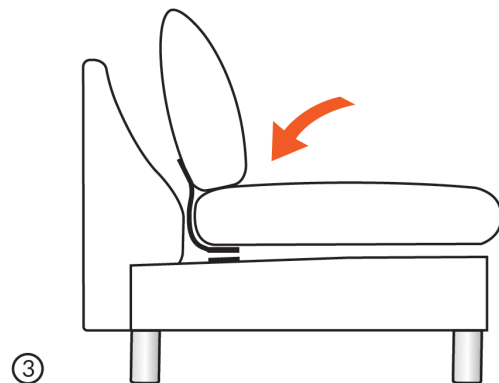
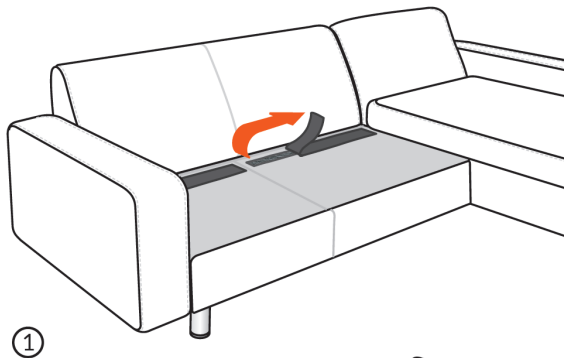
99230316



Placement of fabric cushions



Placement of leather cushions



WWW.STRESSLESS.COM/MYSTRESSLESS



This product is manufactured in Norway by:
J.E. Ekornes AS, Industrivegen 1 N-6222 Ikkornnes
Tel.: (+47) 70 25 52 00
E-mail: office.no@ekornes.com